

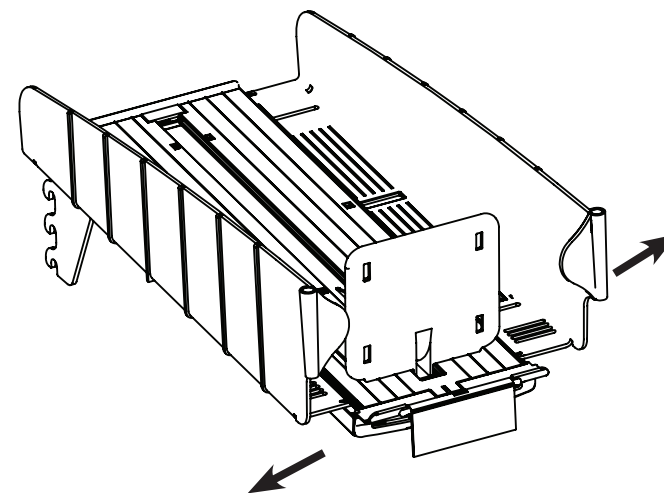
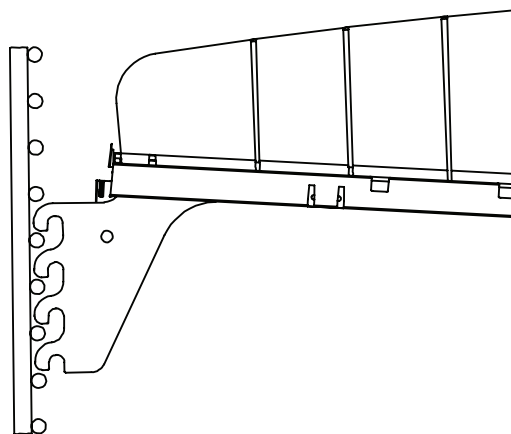
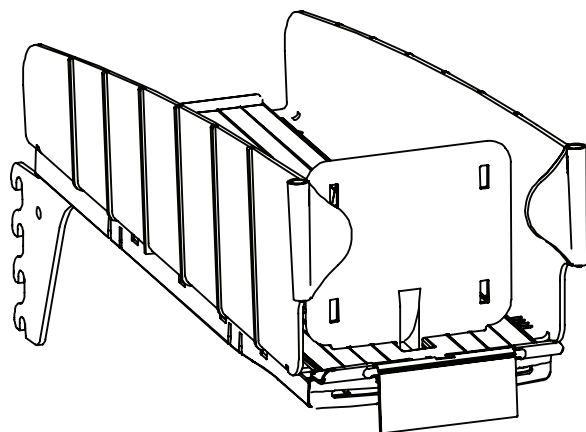
# SPACEGRID® OPENVIEW™ INSTALLATION INSTRUCTIONS

## CONTENTS:

6 per case

1 Attach tray to grid

2 Adjust wings by hand to fit packaging



3 Push button under tray and pull forward

4 Push tray back in after stocking

5 Limit gaps between trays

