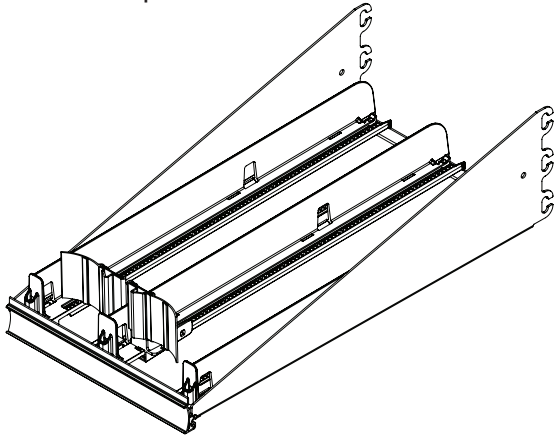


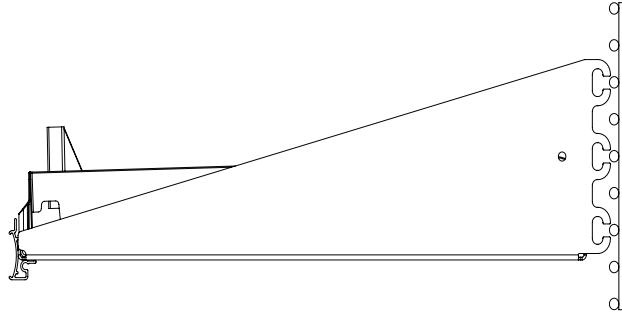
SPACEGRID SHELF INSTALLATION INSTRUCTIONS

CONTENTS:

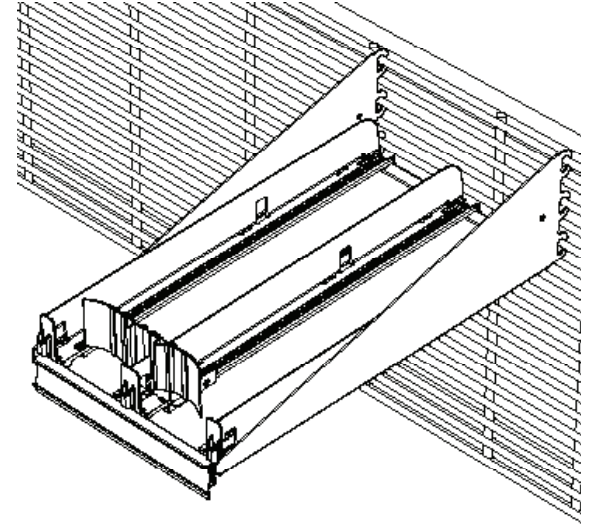
2 shelves per case



1

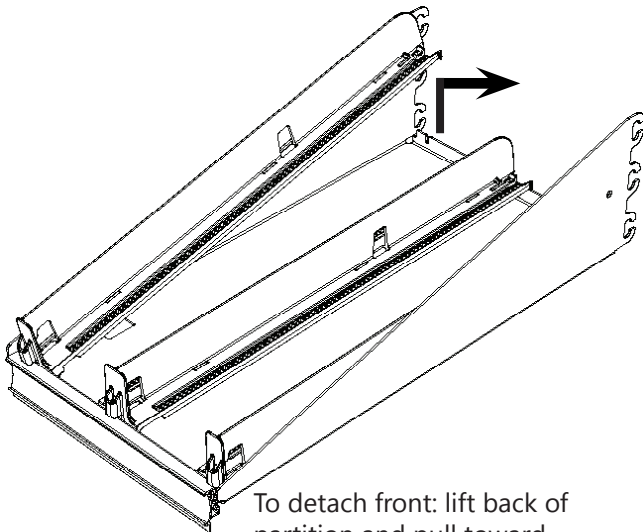


2



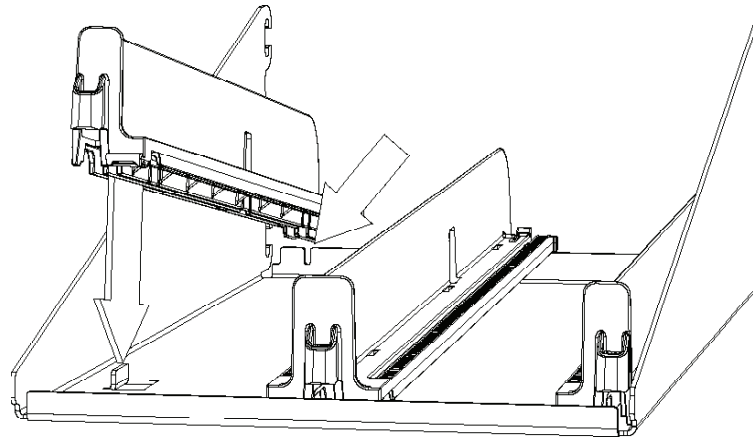
ADJUSTMENT GUIDE FOR NARROW PRODUCTS:

1



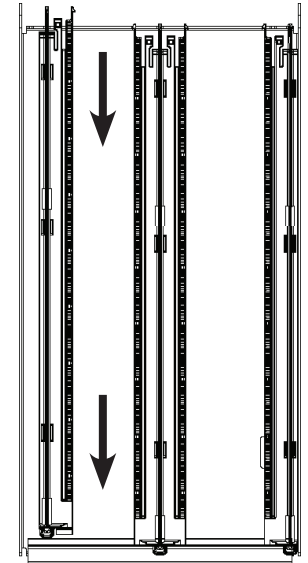
To detach front: lift back of partition and pull toward center

2



Insert metal tab into outer slots

3



Grip front and back of partition and pull forward until it snaps